

DISTINCTIVE CABINETS FOR YOUR HOME

KEMPER®



installation

AND CABINET CARE & MAINTENANCE GUIDE

THANK YOU FOR YOUR KEMPER CABINETRY PURCHASE!



THIS GUIDE WILL HELP YOU INSTALL YOUR KITCHEN CABINETS.
PLEASE READ THE GUIDE IN ITS ENTIRETY BEFORE GETTING STARTED.

BEFORE YOU BEGIN

GATHER YOUR SUPPLIES

- #10 x 2 1/2" square phillips washer head screws supplied with cabinets (use in both wall and base cabinets)
- #8 x 2 1/2" phillips pan or trim head screws (recommended but not supplied)
- tapered wood shims
- patching plaster & putty knife
- fine grade sandpaper
- touch-up kit (markers, wax stick, and putty) Be sure to include a touch-up kit with your cabinet order.
- wood glue

GATHER YOUR TOOLS

- steel tape measure (20')
- scribing tool & pencil
- levels – various lengths
- chalk line or string
- variable speed drill (minimum 9.6v)
- 3/32", 1/8", 7/32" drill bits & screwdriver attachments
- stud finder
- 3" - 6" bar clamps or "c" clamps
- carpenter's square
- small carpenter's saw or circular saw
- claw hammer
- step ladder
- extension cord

STEP ONE: GETTING STARTED

COLLECT ALL MATERIALS

- cabinets
- flooring (if needed)
- lighting (if needed)
- plumbing materials (if needed)
- electrical materials (if needed)
- countertop(s)
- paint & dry wall supplies
- optional: miter saw (80 tooth blade)
- optional: air compressor & brad nailing gun (1/2", 3/4", 1-1/4", & 1-1/2" brad nails)

STEP ONE: GETTING STARTED

CHECK ALL CABINETS FIRST

- Inspect each cabinet carefully.
- All cabinets are subjected to numerous quality inspections and are carefully packaged before leaving the factory. Unfortunately, damage may occasionally occur in handling between the factory and final destination.
- If damage is discovered, place the cabinet back in the box and notify your cabinet dealer.
- Check that you have all the cabinets and parts you have ordered. If any item is missing, notify your cabinet dealer.

PLACE CABINETS IN ORDER

- Arrange cabinets into the order in which you will be installing them. This will allow you to quickly find the right cabinet when you need it. Preferably, organize your cabinets in a room other than the kitchen.

IMPORTANT NOTE 1: You should remove the doors and drawer boxes from the cabinets before installation. Also, you should remove drawers and shelving from cabinets to make handling easier and to prevent damage from occurring. Be sure to note all doors and drawers to the original cabinet, so that each can be quickly and easily re-installed.



REMOVE OLD KITCHEN

- Start by first removing the appliances.
- Next remove counter tops, base cabinets, and finally the wall cabinets.

IMPORTANT NOTE 2: Shut off water to the sink and dishwasher. Turn off gas or electricity to the range, cooktop, dishwasher, oven, and other appliances if appropriate. We suggest having a professional take care of this.



MAP OUT UTILITIES

- Most states require that all electrical and plumbing must be brought up to current code in any opened wall. Have a professional check that all codes are met.
- Run any new electrical wiring such as under or over cabinet lighting.
- If you are re-routing water or gas pipes or making changes to electrical outlets, hire a qualified specialist to do a safe and professional job.

REPAIR WALL & FLOOR SURFACES

- With the room empty, now is the time to prime walls, put on a first coat of paint, and/or install new flooring. Keep in mind, new flooring is easier to install now, but be sure to protect the surface until the kitchen is finished. The second coat of paint and any wallpapering should be completed after cabinets are installed.

STEP TWO: PREPARE YOUR KITCHEN



STEP TWO: PREPARE YOUR KITCHEN

EVALUATE ROOM BEFORE STARTING

- Locate the high point of the finished floor on each continuous wall cabinet run including appliances.

DRAW A "MAP"

- It is helpful to transfer your kitchen plan right onto the actual walls of your kitchen.
- Starting at the high point of your finished floor, mark horizontal lines on the walls as follows:
 - The first horizontal line (base level line) should be drawn 34 1/2" up from the high point on each continuous wall run. This mark will indicate the top of your base cabinets. (Kemper base cabinets are 34 1/2" high.)
 - The second horizontal line (wall level line) can be drawn at 54" up from the high point on each continuous wall run or 19 1/2" above the base level line. This will indicate the bottom height of the wall cabinets.
- Draw a level line at 84" for the top of 30" high wall cabinets, 90" for the top of 36" high wall cabinets, or 96" for the top of 42" high wall cabinets.
- Place vertical markings of all cabinets to check actual cabinet dimensions against your layout.
- These lines aren't meant to be used to level or square cabinets.
- If your finished floor is not yet installed, allow for the thickness of the flooring by adding the thickness to horizontal cabinet lines.
- If undercabinet lighting is used, bring the direct wire out of the wall 1/2" above the wall cabinet bottom line.
- Find and mark all the wall studs (generally 16" apart on center).
- Verify there is at least one stud behind each cabinet in the middle of a run.
- Verify there is at least two studs behind each cabinet at the end of a run.

IMPORTANT NOTE 3: If existing kitchen has soffits, measure from floor high point to bottom of soffit to be sure that cabinets will fit. Most kitchen designs will need 84" from top of finished floor. If 84" is not achieved, a new line below & parallel to the 54" line, may be drawn to use as wall cabinets bottom point. If 84" are achieved, it is optional to add the overage to the 54" line, this will allow wall cabinet to fit up under the soffits with no gap or you may use original 54" line and leave gap at top open or for molding.



not
a

STEP THREE: HANG THE WALL CABINETS



STEP THREE: HANG THE WALL CABINETS

In most kitchens, it is best to begin the installation with the wall cabinets. This way there won't be any base cabinets to work around and you can more easily use a step-ladder.

START IN THE CORNER

- Remove all doors from wall cabinets.
- Starting in the corner, measure the wall from the corner out to the center of the first stud mark.
- Transfer this measurement to the back of the cabinet and mark a vertical line on the cabinet.
- Drill from the back of the wall cabinet on the line with a 1/8" or smaller bit, three holes on 30" high wall cabinets, four holes on 36" and 42" high wall cabinets (the holes should be positioned 1 3/4" down from the top and up from the bottom with additional holes equally spaced between and no closer than 2" to any vertical edge). Hand start #10 x 2 1/2" phillips washer head installation screws from inside.
- Place the cabinet on the 54" reference line and level in all directions. (1/8" error here will put you 1/2" off 8' down your wall; double check the squareness of your starting cabinet.)
- Tighten screws until they are nearly tight. Do not torque this cabinet, so that you may adjust it slightly to attach the next cabinet.

IMPORTANT NOTE 4: Never use sheet rock (flat head) screws. Only use #10 x 2 1/2" (supplied) through cabinets into walls and recommended #8 x 2 1/2" phillips pan or trim head screws when joining cabinets.



A 2x2 or 3/4" inside corner moulding may be positioned and attached at the 54" line to help support cabinets during installation.

INSTALL ADJACENT CABINETS

- Place the next cabinet on the wall at the reference line.
- Align the bottom and side rails with the other cabinets and attach to the wall. Leave screws loose.
- Use clamps to clamp the face frames of the two cabinets together.
- Pre-drill and attach to as described earlier. Use shims on back if needed.
- When attaching adjacent cabinets, pre-drill face frames. First, drill face frame with a 9/64" bit to the depth of the first frame and then use a 1/8" bit in same hole to pre-drill the second face frame. This will permit #8 x 2 1/2" screw, when tightened, to slip on first face frame and grasp second face frame thus permitting face frame to come together tightly.
- Using a #8 x 2 1/2" screw is recommended.
- For 30" high cabinets use two screws; 36" and 42" high cabinets use three screws
- Check cabinet with a level on the front, sides and bottom.
- Make sure the back is fully supported with shims and does not bow into any imperfections in the wall.
- Screw in wall screws the rest of the way.
 - Proper tightness and cabinet stability is achieved by drawing the screw down, until it just touches the back of the cabinet.
 - If there is a gap to the wall, it should be filled with a shim.

IMPORTANT NOTE 5: Drill not only into wall but through attaching face frame to insure cabinets are secure. When adjacent cabinet is attached to previous cabinet, be sure to fully tighten the previous wall cabinet wall screws.



Install only one cabinet at a time, always making sure it is level and plumb (square).

STEP FOUR: INSTALL BASE AND TALL CABINETS

STEP FOUR: INSTALL BASE AND TALL CABINETS

Important Note 6: Before installing any of these cabinets, be sure to measure, mark and cut openings for plumbing, power sources and other utilities.



START IN THE CORNER

- Start installing base cabinets in the corner.
- Mount the corner cabinet to the wall using the marked horizontal line set at 34 1/2" up from finished floor. It may need to be shimmed to align with the level line. Check that the cabinet is level and plumb before installing to the studs in the wall.
- If corner is a barrel lazy susan a 1" x 2" wood strip must be placed at 34 1/2" line to support countertop.
- Be sure that starting corner cabinet is square to both walls to insure a true 90° corner and a straight line for remaining cabinets.



ATTACH BASE CABINETS

- Using clamps, align and join the cabinets at the base frames.
- Attach face frames the same way as wall cabinets, pre-drilling twice and using three - #8 x 2 1/2" pan or trim head screws.
- Shim to fill uneven areas:
 - Between wall and back of cabinet
 - Between floor and bottom of base
 - Using a 48" or 60" level placed horizontally against the front/top face frame will tell you if cabinets are straight and where shims must be used. This will also keep your cabinets in a straight line.
- Failure to do this can result in damage to the cabinet if tightened to wall without shims to keep cabinet face frames straight and level.
- Attach the base cabinets to the wall the same way as the wall cabinets.
- When face frames of both cabinets are attached together and straight, then attach to wall.
- Check cabinet to see if it is level and plumb.

STEP FIVE: FINISHING TOUCHES

STEP FIVE: FINISHING TOUCHES

Now that the cabinets are in place, it's time to add shelving, lighting, drawers, and other accessories. All cabinet boxes have pre-drilled holes for quick and easy installation of shelving, drawers and other interior accessories. This also makes it simple to make adjustments or add accessories later on.

INSTALL DOORS, DRAWERS, AND SHELVES

- Re-attach doors to their cabinets.
- Re-insert drawer boxes.
- Insert shelf clips at the desired height and place shelves.
- Install toe kick and scribe to cover seams.

ALIGN DOORS AND DRAWERS (extra hinges on next page)

- First, make a final check on squareness by using a level on all horizontal and vertical cabinet surfaces.
- If any cabinet is out of square, now is the time to correct it. Loosen from the wall and use shims to properly square the cabinet.
- Reinstall doors and drawers and get in perfect position to accept hardware.
- If doors do not line up vertically (up and down) or where they meet (in the middle), adjust hinges.

INSTALL HARDWARE

When installing handles and pulls remember that hardwood doors are susceptible to splintering when drilled.

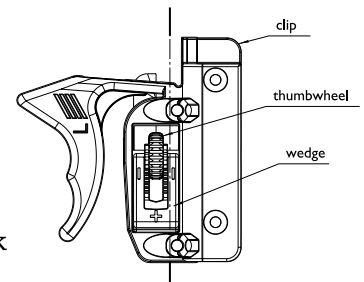
- Drill from the front of the door through to the back of the door into a tightly clamped piece of wood block using a 3/16" drill bit.
- A touch up marker can conceal small installation problems.
- For bi-fold corner cabinet doors, countersink the head of the hardware screw to avoid scratching cabinet face frame.

INSTALL MOULDING AND TRIM

- Moulding cuts should be made through the face of the moulding towards its back.
- Prior to attaching the miter cuts together, paint the miter with touch-up markers.
- Attach the miter together using wood glue.
- Finally, shoot brad nail through the moulding to the face frame of the cabinet box.

ADJUST DRAWER ALIGNMENT (Figure A)

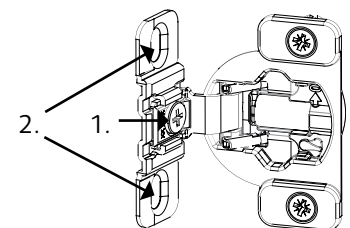
- If drawer does not close evenly, manually adjust the drawer guide socket at the back of the cabinet to even out both guides (no tools needed).
- To adjust the drawer height, rotate the blue wheel on the front locking device. Rotate toward the inside of the box to raise the drawer up. Rotate toward the outside of the box to lower the drawer.



(Figure A)

OVEN CABINET HINGES (Figure B)

- For side adjustments: loosen screw (1) on hinge, adjust the door left or right and tighten screw.
- For height adjustments: loosen screws (2) on face frame adjust door up or down and tighten screws.

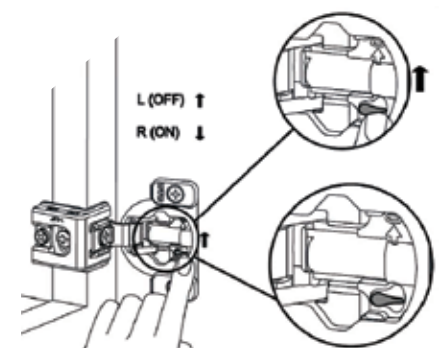
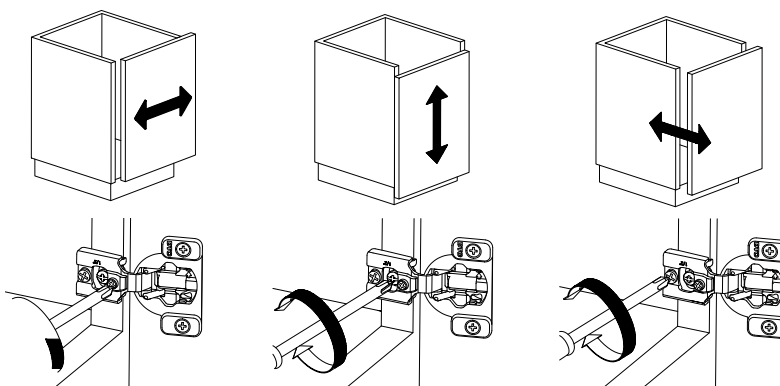


(Figure B)

DOOR SOFT CLOSE DEACTIVATION (Figure C)

I=On and O=Off Door must be closed once for the deactivation to be complete.

Six-Way Adjustable Hinges

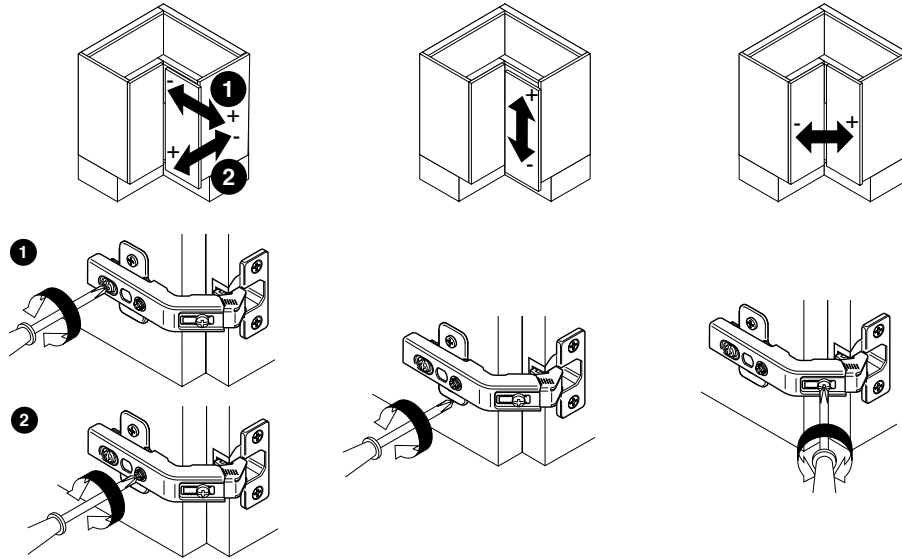


(Figure C)

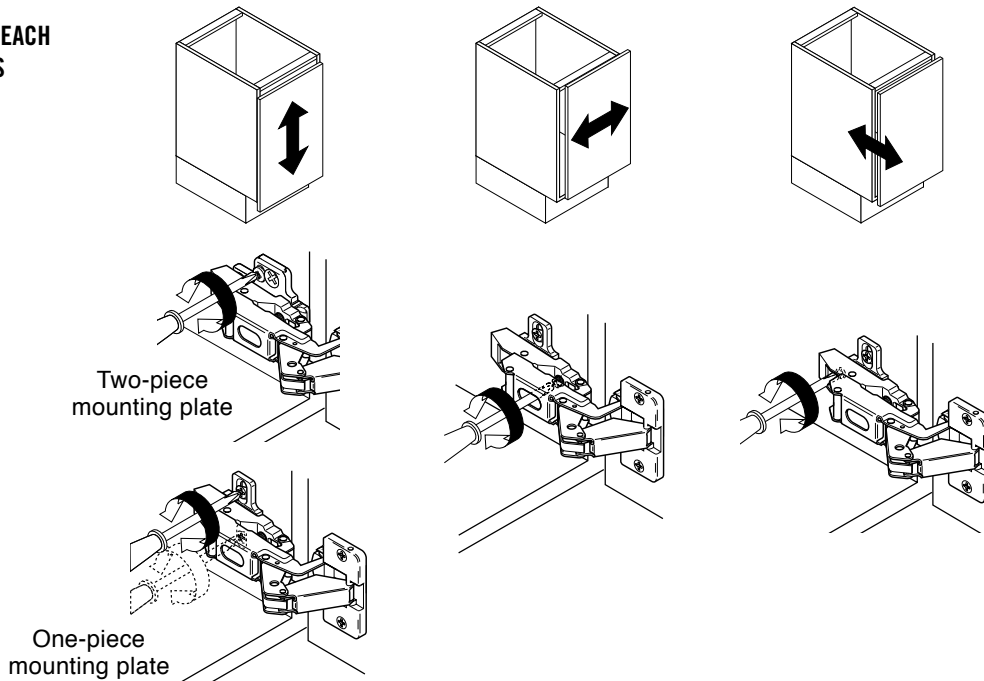
STEP FIVE: FINISHING TOUCHES CONTINUED.

STEP FIVE: FINISHING TOUCHES (CONT.)

BI-FOLD EASY REACH HINGES



EASY REACH HINGES



TOUCH UP ENTIRE JOB. ENJOY YOUR NEW KITCHEN.

CARE & MAINTENANCE GUIDE

CARE & CLEANING GUIDELINES

A soft cotton cloth dampened with warm water is usually sufficient to clean your cabinets. If a more thorough cleaning is required, use one of the following cleaning solutions:

- A fresh solution of dishwashing liquid mixed with warm water.
- A mild all-purpose cleaner. Make sure it does not contain ammonia or silicone.

Use the mildest cleaning solution that will successfully clean your cabinets. Stronger products may damage or discolor your cabinet finish and are not recommended.

After cleaning, wipe all surfaces with a clean, damp cloth. Dry immediately, using another soft, clean cloth.

SPLATTER & SPILLS

Clean spills and splatters immediately. Prolonged exposure to spills, including food, water or other liquids, or to oil and grease splatters, can cause permanent discoloration or damage to your cabinet's finish.

CLEANING PRODUCTS TO AVOID

Avoid using the following cleaning products on your cabinets:

- Harsh chemicals.
- Abrasive cleaning products such as tub and sink cleansers, scouring powder, scouring pads or steel wool.
- Sponges or dish clothes. They may contain particles that could scratch your cabinets, or they may contain food and oil residue.
- Solvent-based or petroleum-based products such as mineral spirits, nail-polish removers or paint thinners.
- Ammonia or cleaning products that include ammonia.
- Bleach or cleaning products that include bleach.
- Silicone-based cleaning, waxing, or polishing products.

REGULAR DUSTING

Use a clean, soft lint-free cotton cloth for regular dusting.

Packaged dusting sheets are not required or recommended. Do not use pre-moistened dusting sheets, and do not use aerosol products made for dusting.

WAXING AND POLISHING

Waxing is not required or recommended. Over time, waxing and polishing compounds may build up on the surface of your cabinets and cause a hazy, streaky or yellowed appearance. This wax build up is very difficult to remove.

CLEANING GLASS DOORS

Extra care is required when cleaning glass doors. Spray an ammonia-free glass cleaner on a clean, soft, lint-free cloth or paper towel. Do not spray cleaner directly on the glass. It could seep behind the window dividers and cause damage.

CARE & MAINTENANCE GUIDE CONTINUED

AVOID MOISTURE DAMAGE, HEAT DAMAGE, & LIGHT DAMAGE

- Avoid draping damp clothes or dishtowels over cabinet doors. This moisture can cause permanent damage – such as peeling and discoloration – to the cabinet’s finish.
- The heat generated when using an oven’s self-cleaning feature is much greater than during normal cooking. If this heat escapes from the oven, it can damage your cabinets. While this is a rare circumstance, you can minimize the risk of cabinet damage by removing cabinet doors and drawers nearest the oven before using its self-cleaning feature or installing heat shields.
- Exposure to direct sunlight tends to darken the color of natural wood products. Sunlight can also fade painted wood surfaces, laminated surfaces and thermofoil surfaces. You should consider draperies or blinds to shield your cabinets from direct sunlight.

WOOD DUST CAUTION!

SAWING, SANDING, OR MACHINING WOOD PRODUCTS CAN PRODUCE WOOD DUST WHICH CAN CAUSE A FLAMMABLE OR EXPLOSIVE HAZARD.

WARNING: Modifications to this product can release wood dust, a substance known to the State of California to cause cancer.

Wood dust may cause lung, upper respiratory tract, eye and skin irritation. Some wood species may cause dermatitis and/or respiratory allergic effects. The International Agency for Research on Cancer (IARC) has classified wood dust as a nasal carcinogen in humans.

- Avoid dust contact with ignition source.
- Avoid prolonged or repeated breathing of wood dust in air.
- Avoid dust contact with eyes and skin.
- First Aid: If inhaled, remove to fresh air. In case of contact, flush eyes and skin with water. If irritation persists, call a physician.

FOR A WOOD DUST M.S.D.S. (Material Safety Data Sheet), CONTACT www.masterbrand.com/regulatoryinformation.

VISIT US AT KEMPERCABINETS.COM
FOR MORE INFORMATION.

- Complete line of Kemper Organization Cabinets
- Kitchen visualization tool
- Kitchen, bath & other room photo gallery
- Project planning tips
- Start To Dream Project Tool

